

Door Viewer

Door viewers are a highly recommended addition to the guestroom doors at your property, in order to further ensure guest security. By using a door viewer, it is easy for guests to identify staff or other visitors before allowing them to enter the room.

Our door viewers are suitable for new doors, as well as for retrofitting or replacing old, worn-out viewers. We recommend that every guestroom be equipped with our high-quality door viewers, which are suitable for all types of properties, with or without VingCard locks installed.



STANDARD FEATURES

- Easy to use. Bright image and large aperture.
- Easy to install. Precision machined brass barrel, which requires just one single hole.
- Elegant low profile design.
- Super wide 200° all round clear angle of view.
- Glass lens cover will not scratch like plastic when cleaned.
- Tarnish free finishes: Polished chrome, satin chrome, polished brass, satin brass or antique.
- Superior precision laser cut optics eliminates distortion (fish-eye effect).

ASSA ABLOY

ASSA ABLOY Hospitality

The global leader in
door opening solutions

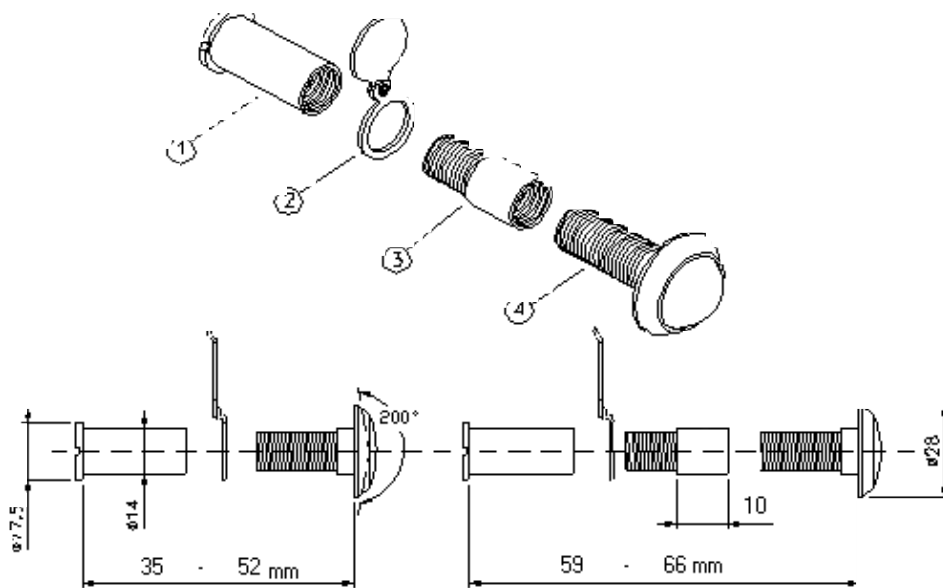
TECHNICAL DATA

Each viewer is delivered individually packed and consists of:

1. 30mm inner barrel for 35 to 52mm doors.
2. Optional brass cover.
3. Optional extension for 60 to 66mm doors.
4. Precision lens assembly.

The standard viewer consists of part no 1 and 4.

Part no 2 and 3 must - if required - be ordered separately



Standard door viewer covers door thickness from 35mm to 52mm.

Standard door viewer + 10mm extension covers door thickness from 60mm to 66mm.